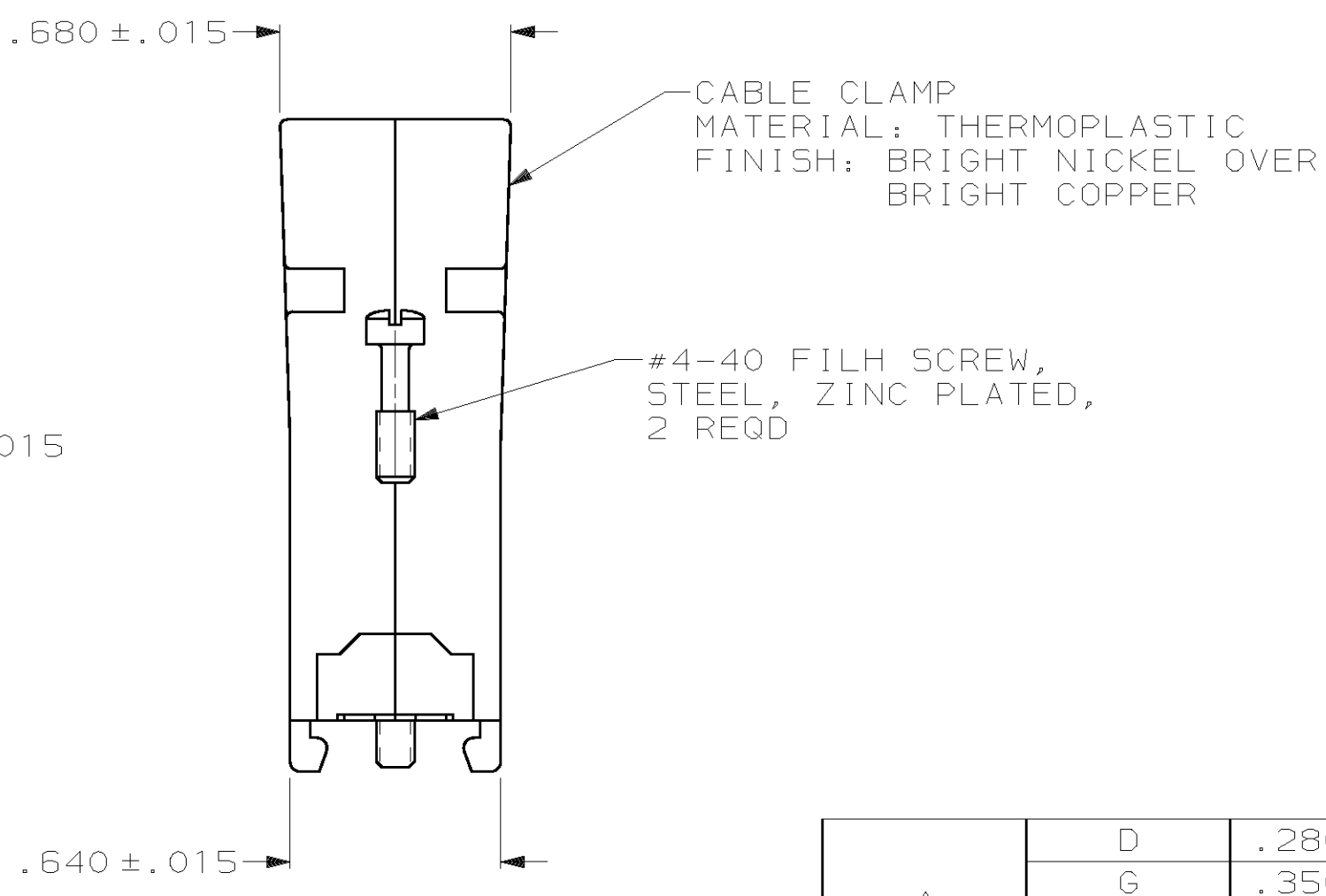
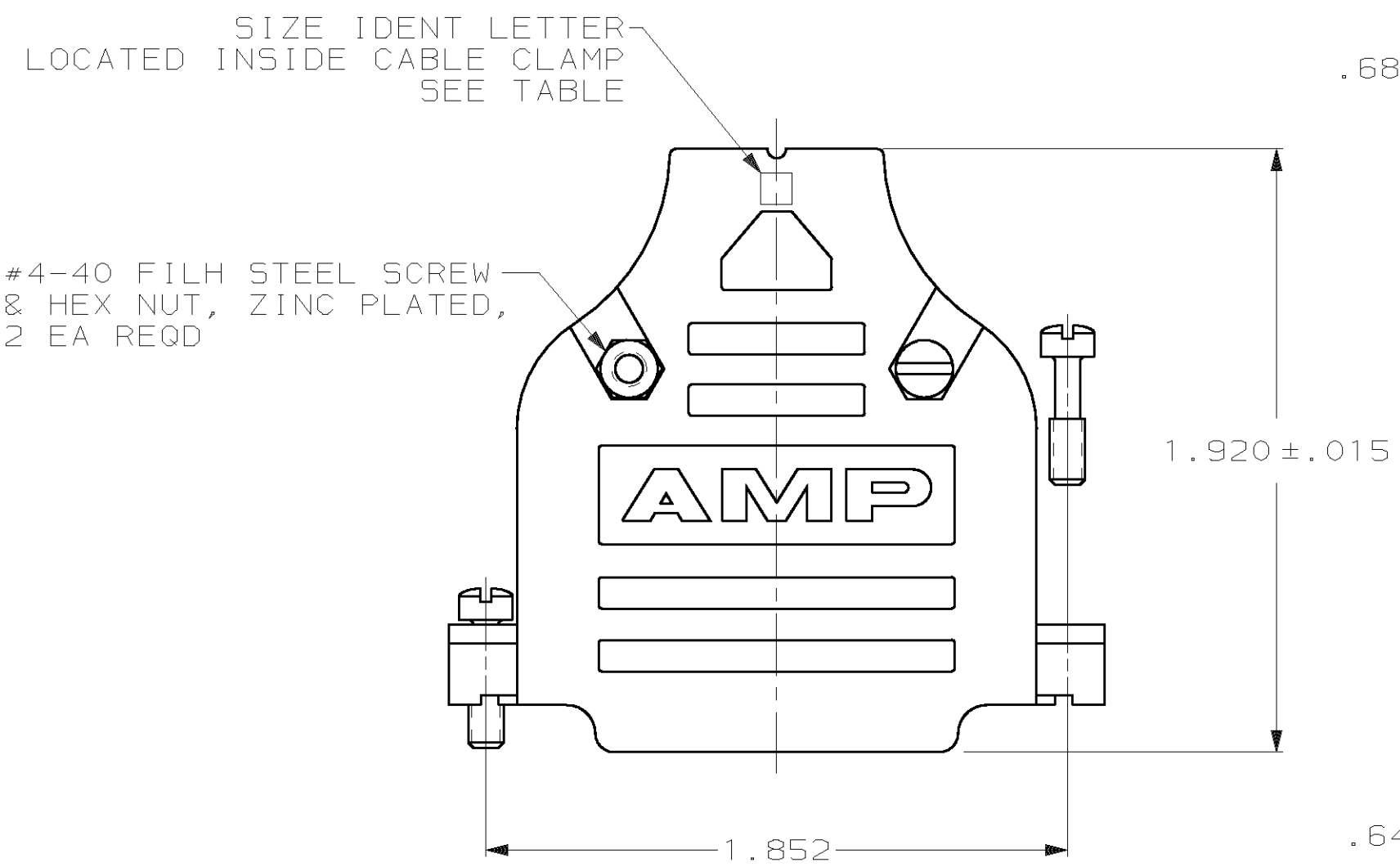
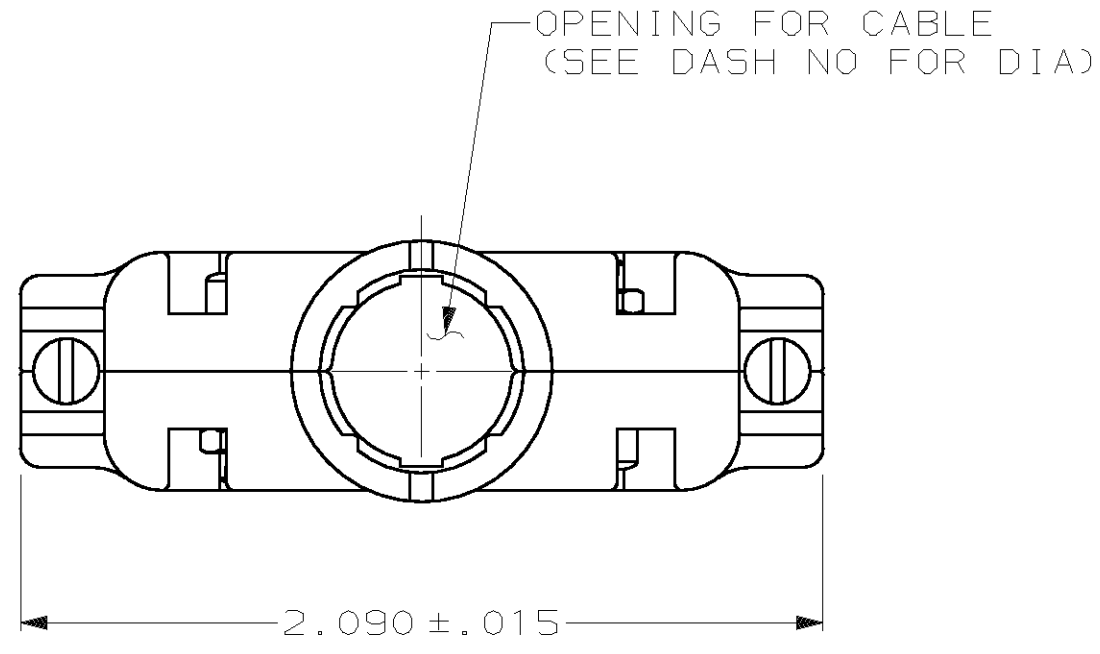


THIS DRAWING IS UNPUBLISHED. RELEASED FOR PUBLICATION
 © COPYRIGHT 19 BY AMP INCORPORATED. ALL INTERNATIONAL RIGHTS RESERVED.

LOC	DIST	P	F	ZONE	LTR	DESCRIPTION	DATE	APPD
BD	48				A	REDRAWN	7-90	-
					B	REVISED PER ECN BD5388	11/27/91	RM
					C	REVISED PER EC 0020-1344-93	11/03/93	SB



- ① ALL PARTS PACKAGED UNASSEMBLED.
- ② AS SHOWN ABOVE, THIS KIT CONSISTS OF 2 STRAIN RELIEF HALVES, 2 #4-40 SCREWS, 2 #4-40 NUTS & 2 #4-40 MOUNTING SCREWS.
- ③ SAME AS SHOWN EXCEPT: EACH PART IS INDIVIDUALLY BULK PACKED FOR MULTIPLE KIT ORDERS.
- ④ OBSOLETE.

REMARKS	SIZE IDENT LETTER	CABLE DIA	BULK PACKED KIT NO	INDIVIDUAL KIT NO
	D	.280	④ 1-745833-0	745833-9
	G	.350	④ 745833-8	745833-7
	K	.430	④ 745833-6	745833-5
	M	.480	④ 745833-4	745833-3
	P	.530	④ 745833-2	745833-1

DO NOT SCALE PRINT. UNLESS SPECIFIED DIMENSIONS IN INCHES TOLERANCES ON : 2 PLC DEC ± - 3 PLC DEC ± .005 ANGLES ± -		DR 7-25-90 J GALLUCCI BG		AMP INCORPORATED Harrisburg, Pa. 17105	
MATERIAL SEE CALLOUT		CHK 9-10-90 J.McCLINTON			
FINISH SEE CALLOUT		APPD 9-10-90 J.WESTMAN		NAME CABLE CLAMP KIT, SIZE 3, 25 POSN, 180°, AMPLIMITE™ SERIES, PLATED PLASTIC	
		APPD 9-11-90 J.ASSINI		DRAWING NO 745833	
		PRODUCT SPEC -		SCALE 2:1	
		APPLICATION SPEC -		SHEET 1 OF 1	
		WEIGHT -			